

SCALAR PRO WF-K6

6-Blade HVHS Wall/Ceiling-Mounted Fan

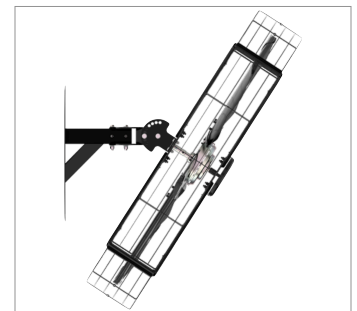
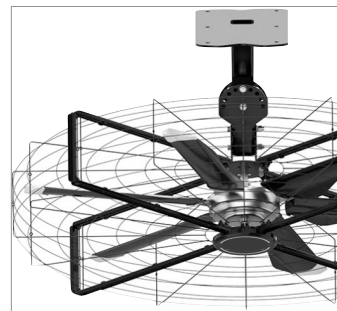
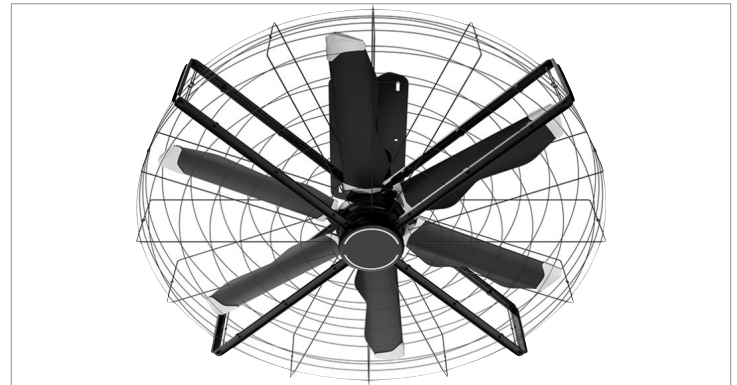


KEY FEATURES

- Molded aluminum airfoils and aerodynamic wingtips designed for maximum airflow with minimal power consumption
- High-efficiency, high-torque, maintenance-free permanent magnet synchronous motor (PMSM)
- Equipped with heavy-duty steel cage and mounting hardware
- Ultra-quiet operation at <43 dBA*
- In-house engineering and vertically integrated manufactured components
- Promotes IEQ (indoor environmental quality) per ASHRAE 55.5



* Under laboratory conditions



Diameters: 6.5'

■ Proprietary Airfoils

Inspired by Swifter's innovations in industrial and equipment fan technology, the Scalar Pro's six marine-grade anodized aluminum blades deliver industry-leading CFM/Watt efficiency.

■ Premium Direct Drive Motor

The IP55-rated permanent magnet synchronous motor (PMSM) reduces maintenance needs and ensures lasting reliability, eliminating issues typically associated with gearbox motors.

■ Safety Features

Rugged construction designed with a protective steel cage, heavy-duty mounting hardware and steel guy wires.

■ Variable-Speed Controller

Ground-level variable frequency drive for fine-tuned speed control. IP55-rated for dust and water protection.

■ Rugged Construction and Finish

Engineered for durability and constructed with the highest quality steel and aluminum materials. Featuring an intense black fluorocarbon finish that resists abrasions and scratches.

■ Limited Warranty

3-year warranty on all parts, including the motor. [Warranty Policy.](#)

SCALAR PRO WF-K6

6-Blade HVHS Wall/Ceiling-Mounted Fan

TECHNICAL SPECIFICATIONS

		WF-K6-6
Dimensions & Performance	Blade Diameter	6.5 ft
	Airflow (Cubic Feet per Minute)	42,660 CFM
	Max. RPM	320
	Cage Width (W)	74.1 in.
	Weight	300 lbs (136 kg)
	Input Power	200-240 VAC ±10%, 50/60Hz, 1 Φ standard 110-120 VAC optional
	Sound Level*	<43 dBA at max. speed
	Mounting	Ceiling, wall, column
Motor (PMSM)	Full Load Current at 220 V	2.7 A
	Full Load Power at 220 V	550 W
	IP Rating (incl. Controller)	IP55
	Insulation Class	IEC/NEMA Class F
	Bearing L10 Life	10,000 hours per ABMA standards

* Under laboratory conditions

