

AURA PRO PS-L5

5-Blade HVLS Ceiling Fan



KEY FEATURES

- Proprietary aluminum airfoils designed for maximum airflow with minimal power consumption
- High-efficiency, high-torque, maintenance-free permanent magnet synchronous motor (PMSM)
- Super bright LED light ideal for warehouses and industrial facilities
- Near-silent operation at <40 dBA*
- Rugged yet lightweight construction for durability and ease-of-install
- Promotes IEQ (indoor environmental quality) per ASHRAE 55



* Under laboratory conditions



Diameter: 14' - 24' (custom available)

■ Proprietary Airfoils

Inspired by Swifter's innovations in industrial and equipment fan technology, the Aura Pro's five marine-grade anodized aluminum blades deliver industry-leading CFM/Watt efficiency.

■ Premium Direct Drive Motor

The IP57-rated permanent magnet synchronous motor (PMSM) reduces maintenance needs and ensures lasting reliability, eliminating issues typically associated with gearbox motors.

■ Redundant Safety Features

UL 507 certified. Featuring airfoil blade retainers, steel guy cables, and optional fire relay integration with an emergency shut-off switch.

■ Variable-Speed Controller + Remote

Featuring a ground-level variable frequency drive for ease of access, the system also includes a wireless remote for convenient fan and LED light control.

■ Flexible Mounting Options

Includes standard mounting hardware for multiple configurations such as I-beams, solid beams, angle iron, pitched roofs, and square tubes, with optional kits for purlins and other structures.

■ Limited Warranty

15-year mechanical warranty; 5-year electrical warranty. [Warranty Policy](#).

AURA PRO PS-L5

5-Blade HVLS Ceiling Fan



TECHNICAL SPECIFICATIONS

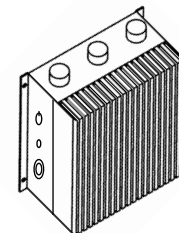
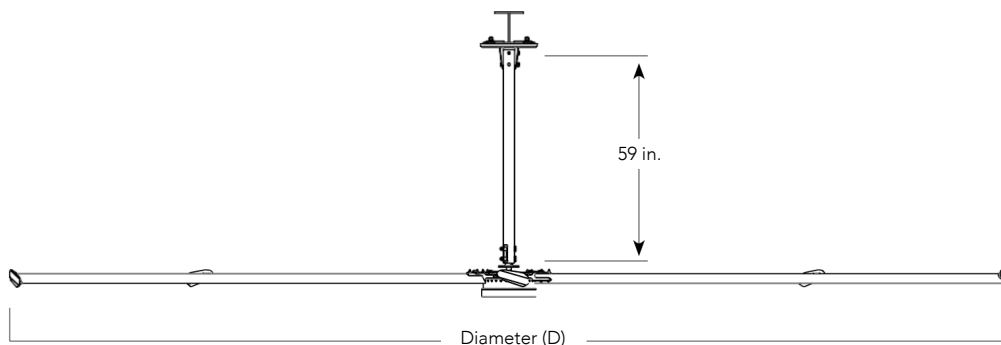
	PS-L5-24	PS-L5-20	PS-L5-16	PS-L5-14	
Dimensions & Performance	Diameter (D) [custom available]	24 ft (23.5 ft actual)	20 ft (20.2 ft actual)	16 ft (16.9 ft actual)	14 ft (13.6 ft actual)
	Airflow (Cubic Feet per Minute)	526,188 CFM	437,901 CFM	384,929 CFM	257,443 CFM
	Max. Affected Area*	13,994 ft ²	10,763 ft ²	7,534 ft ²	4,865 ft ²
	Min./Max. RPM	25/55	25/60	25/75	25/75
	Weight**	153 lbs (69 kg)	133 lbs (60 kg)	120 lbs (54 kg)	75 lbs (34 kg)
	Downrod Length	59 in. standard (custom lengths available)			
	Forward/Reverse Capabilities	Yes - controlled with wireless IR remote			
	Input Power	200-240 VAC ±10%, 50/60Hz, 1 Φ standard (110-120 VAC / 400-480 VAC optional)			
	Sound Level***	<40 dBA at max. speed			
	Safety Features	Airfoil blade retainers, safety-lock airfoil mounting hardware, chassis fall-restraint system, and steel guy cables standard. Fire relay integration and emergency shut off switch optional.			
Motor (PMSM)	Motor Rating	800 W			
	Full Load Current at 220 V+	3.8 A	2.8 A	2.0 A	1.28 A
	Full Load Power at 220 V+	720 W	620 W	440 W	280 W
	Max. Operating Temperature	176°F (80°C)			
	IP Rating	IP57 for covered outdoor operation			
	Insulation Class	IEC/NEMA Class F			
	Bearing L10 Life	100,000 hours per ABMA standards			
LED Light	LED Power	100 W, 0.45 A at 220 V Input Voltage			
	Brightness (Lumens)	10,100 ±10% lm			
	Color Temperature (Kelvin)	6,000 K ±300 K			

* Fan plane at 20 feet height from ground level

** Total hanging weight with standard downrod

*** Under laboratory conditions

+ With LED light off



VFD Controller
Height: 10.0 in.
Width: 8.25 in.
Depth: 4.75 in.