

# AURA LITE PS-L6

6-Blade HVLS Ceiling Fan



## KEY FEATURES

- Proprietary aluminum airfoils designed for maximum airflow with minimal power consumption
- High-efficiency, high-torque, maintenance-free permanent magnet synchronous motor (PMSM)
- Super bright LED light ideal for warehouses and industrial facilities
- Near-silent operation at <40 dBA\*
- Rugged yet lightweight construction for durability and ease-of-install
- Promotes IEQ (indoor environmental quality) per ASHRAE 55



\* Under laboratory conditions



Diameter: 8' - 12' (custom available)

### ■ Proprietary Airfoils

Inspired by Swifter's innovations in industrial and equipment fan technology, the Aura Lite's six marine-grade anodized aluminum blades deliver industry-leading CFM/Watt efficiency.

### ■ Premium Direct Drive Motor

The IP57-rated permanent magnet synchronous motor (PMSM) reduces maintenance needs and ensures lasting reliability, eliminating issues typically associated with gearbox motors.

### ■ Redundant Safety Features

UL 507 certified. Featuring airfoil blade retainers, steel guy cables, and optional fire relay integration with an emergency shut-off switch.

### ■ Variable-Speed Controller + Remote

Featuring a ground-level variable frequency drive for ease of access, the system also includes a wireless remote for convenient fan and LED light control.

### ■ Flexible Mounting Options

Includes standard mounting hardware for multiple configurations such as I-beams, solid beams, angle iron, pitched roofs, and square tubes, with optional kits for purlins and other structures.

### ■ Limited Warranty

15-year mechanical warranty; 5-year electrical warranty. [Warranty Policy](#).

# AURA LITE PS-L6

6-Blade HVLS Ceiling Fan



## TECHNICAL SPECIFICATIONS

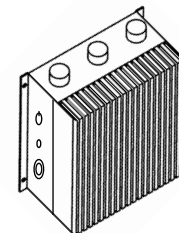
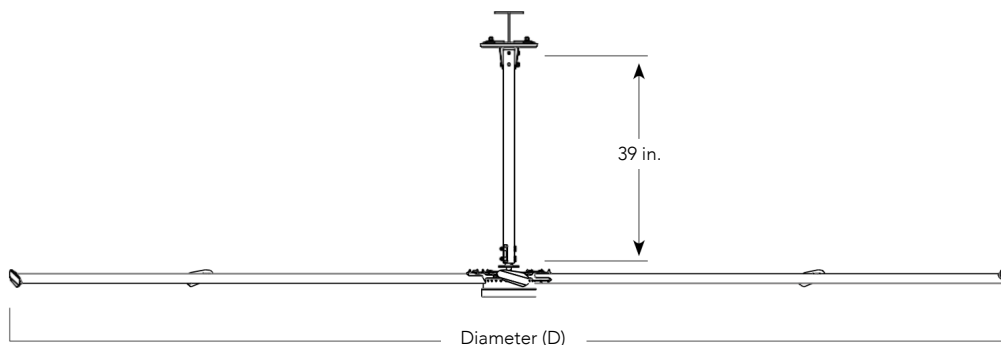
	PS-L6-12	PS-L6-10	PS-L6-8	
Dimensions & Performance	Diameter (D) [custom available]	<b>12 ft</b> (11.8 ft actual)	<b>10 ft</b> (9.8 ft actual)	<b>8 ft</b> (8.2 ft actual)
	Airflow (Cubic Feet per Minute)	257,444 CFM	198,822 CFM	118,658 CFM
	Max. Affected Area*	4,844 ft <sup>2</sup>	3,230 ft <sup>2</sup>	2,960 ft <sup>2</sup>
	Min./Max. RPM	25/100	25/110	25/120
	Weight**	55 lbs (25.0 kg)	52 lbs (23.6 kg)	47 lbs (21.2 kg)
	Downrod Length	39 in. standard (custom lengths available)		
	Forward/Reverse Capabilities	Yes - controlled with wireless IR remote		
	Input Power	200-240 VAC ±10%, 50/60Hz, 1 Φ standard (110-120 VAC / 400-480 VAC optional)		
	Sound Level***	<40 dBA at max. speed		
	Safety Features	Airfoil blade retainers, safety-lock airfoil mounting hardware, chassis fall-restraint system, and steel guy cables standard. Fire relay integration and emergency shut off switch optional.		
Motor (PMSM)	Motor Rating	800 W		
	Full Load Current at 220 V+	1.9 A	1.3 A	1.0 A
	Full Load Power at 220 V+	418 W	286 W	220 W
	Max. Operating Temperature	176°F (80°C)		
	IP Rating	IP57 for covered outdoor operation		
	Insulation Class	IEC/NEMA Class F		
	Bearing L10 Life	100,000 hours per ABMA standards		
LED Light	LED Power	34 W, 0.15 A at 220 V Input Voltage		
	Brightness (Lumens)	6,120 ±10% lm		
	Color Temperature (Kelvin)	5,700 K ±300 K		

\* Fan plane at 20 feet height from ground level

\*\* Total hanging weight with standard downrod

\*\*\* Under laboratory conditions

+ With LED light off



VFD Controller  
Height: 10.0 in.  
Width: 8.25 in.  
Depth: 4.75 in.

Info@SwifterFans.com | (973) 463-7300 | SwifterFans.com