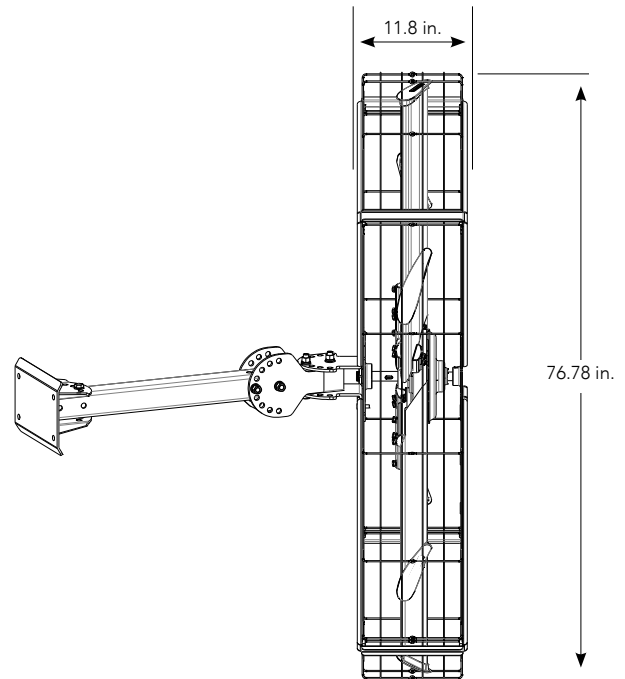
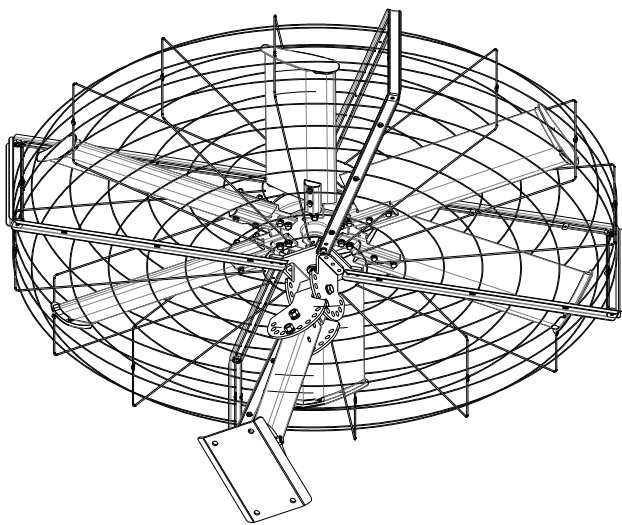


TECHNICAL SPECIFICATIONS

Number of Airfoils	6
Diameter	6.5 ft (2 m)
Air Volume	44,150 CFM (1250 CMM)
Input Power and Required Breaker	1 Φ , (220) VAC \pm 10%, 50 / 60 Hz
Full Load Current	1.6 A
Max Power at Full Speed	0.55 HP (0.41kW)
Speed	220 RPM
Power	1.0 HP (0.75kW)
Sound Level at Max Speed*	43 dBA*
Fan Weight	321 Lbs. (145 Kg)
Motor	PMSM (BLDC), Direct Drive

* Under Laboratory Conditions

PRODUCT DIMENSIONS



Swifter Fans does not warrant or represent that the information is free from errors or omission. The information may change without notice and Swifter Fans is not in any way liable for the accuracy of any information printed and stored or in any way interpreted or used.