

US-8

HVLS Floor Mounted Fan

PROJECT

DATE

TYPE

NOTES



- 8 Blade High Volume, Low Speed Floor Mounted Fan
- Available Diameters: 8', 10', 12' & 14' (Custom Diameters also Available within these Ranges)
- High Efficiency, High Torque BLDC (PMSM) Maintenance-Free Motor
- IP 55 Standard
- IEC/NEMA Class F Insulation
- Noise Levels <43 dBA
- Application: Indoor and Outdoor Locations with Constrained Ceiling Hanging Options
- Vertically Integrated Engineered and Manufactured Components



FEATURES

Airfoils — Our proprietary airfoils are engineered for delivering high-performance results with the lowest power consumption.

Blade Construction — Marine grade extruded anodized aluminum.

Installation — The lighter weight class of both the motor and the fan allows for greater ease of installation.

Motor and Gearbox — Features a high efficiency, high torque BLDC (PMSM) maintenance-free motor. The motor is IP55 rated, and Temperature Rise Class F insulated. Bearing L10 life of 100,000 hours as per ABMA standard.

Safety Features — Airfoil retainers, hub clips, steel guy cables, and shielded power cables. Optional BACnet/ MODBUS protocol for BMS and Fire relay Integrated Controllers.

Controller — VFD in a NEMA 4 Enclosure, IP66 Rating, with a maximum operating temperature of 140°F, 200-240 VAC, 50/60 Hz, 1Φ / 3Φ; 400-480 VAC, 50/60 Hz.

Mounting — Structurally hardened, extruded anodized aluminum or structural steel stand engineered to withstand harsh outdoor conditions and maintain structural integrity, with an option to grout.

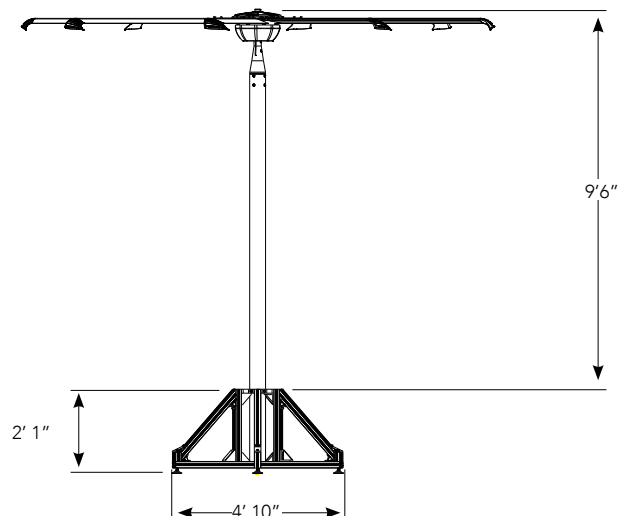
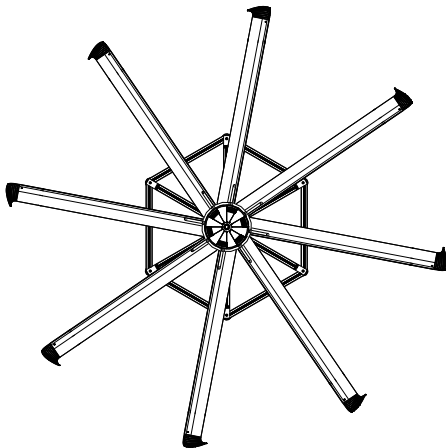
Efficiency — Highest CFM / Watt in the industry is achieved due to the high efficiency motors and engineered airfoil design.

Warranty — 50,000 Hours or 5 Year Warranty on all parts, including the Motor.

TECHNICAL SPECIFICATIONS

SPECIFICATIONS	US8-8	US8-10	US8-12	US8-14
Number of Airfoils	8			
Diameter	8 ft (2.4 m)	10 ft (3 m)	12 ft (3.7 m)	14 ft (4.3 m)
Max Affected Area	2,615.00 ft ²	3,509.00 ft ²	4,704.00 ft ²	6,717.00 ft ²
Airflow	160,682 cfm	195,290 cfm	231,664 cfm	266,626 cfm
Max Speed	120 RPM	100 RPM	90 RPM	80 RPM
Max Power at Max Speed	0.20 HP	0.27 HP	0.57 HP	0.55 HP
Sound Level at Max Speed	40 dBA	41 dBA	41 dBA	43 dBA
Fan Weight	423 lbs.	435 lbs.	446 lbs.	457 lbs.
Motor Torque Rating	50 Nm			
Motor Power Rating	1.0HP			
Motor IP Rating	IP55			
Motor Insulation Class	IEC Class F, Temperature Rise			
Bearing Life ABMA	L10 Life of 100,000 Hrs.			
Motor Type	PMSM (BLDC), Direct Drive			
Motor Input	200-220V, 400-480V (optional)			
Input Power Options	1Φ or 3Φ (200 - 480) VAC ±10%, 50 / 60 Hz			
Controller IP Rating & NEMA Class	IP66 / NEMA Class 4			
Mounting Hardware	Hardened Extruded Aluminum or Structural Steel			
Operating Temperatures	140° F			

PRODUCT DIMENSIONS



Swifter Fans does not warrant or represent that the information is free from errors or omission. The information may change without notice and Swifter Fans is not in any way liable for the accuracy of any information printed and stored or in any way interpreted or used.