

PS-5

HVLS Ceiling Fan

PROJECT

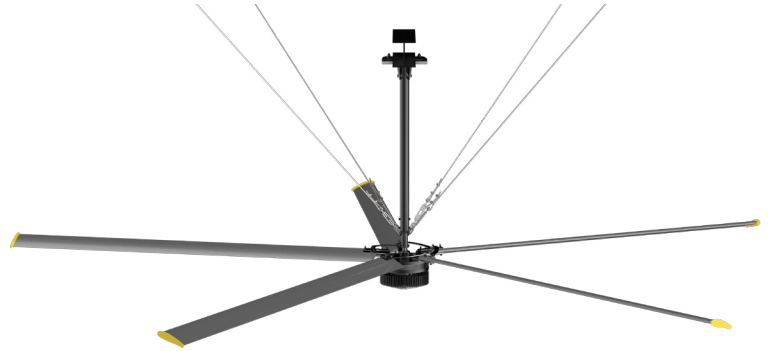
DATE

TYPE

NOTES



- 5 Blade High Volume, Low Speed Ceiling Fan
- Available Diameters: 16', 18', 20' & 24' (Custom Diameters also Available within these Ranges)
- High Efficiency, High Torque BLDC (PMSM) Maintenance-Free Motor
- IP 55 Standard
- IEC/NEMA Class F Insulation
- Noise Levels <40 dBA
- Promotes IEQ (Indoor Environmental Quality) as per ASHRAE 55
- Vertically Integrated Engineered and Manufactured Components



FEATURES

Airfoils — Our proprietary airfoils are engineered for delivering high-performance results with the lowest power consumption.

Blade Construction — Marine grade extruded anodized aluminum.

Installation — The lighter weight class of both the motor and the fan allows for greater ease of installation.

Motor and Gearbox — Features a high efficiency, high torque BLDC (PMSM) maintenance-free motor. The motor is IP55 rated, and Temperature Rise Class F insulated. Bearing L10 life of 100,000 hours as per ABMA standard.

Safety Features — Airfoil retainers, hub clips, steel guy cables, and shielded power cables. Optional BACnet/ MODBUS protocol for BMS and Fire relay Integrated Controllers.

Controller — VFD in a NEMA 4 Enclosure, IP66 Rating, with a maximum operating temperature of 140°F, 200-240 VAC, 400-480 VAC 50/60 Hz, 1Φ / 3Φ. Available with an optional reverse rotation, suitable for winter.

Mounting — Options available for multiple configurations including I-beams, angle Iron, large I-beams, solid beams, z-purlins, pitched roofs, & square tubes.

Efficiency — Highest CFM / Watt in the industry is achieved due to the high efficiency motors and engineered airfoil design.

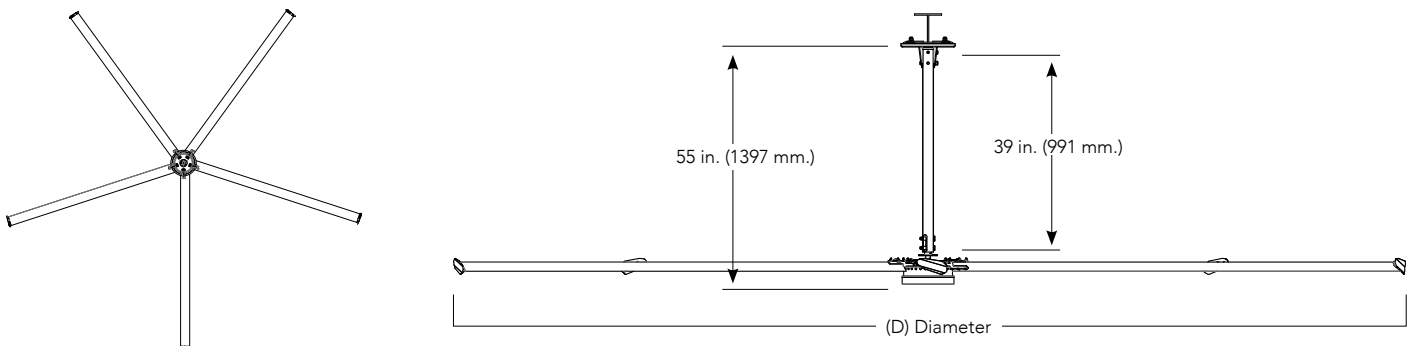
Warranty — 50,000 Hours or 5 Years Warranty on all parts, including the Motor.

TECHNICAL SPECIFICATIONS

SPECIFICATIONS	PS5-16	PS5-18	PS5-20	PS5-24
Number of Airfoils	5			
Diameter	16 ft (4.9 m)	18 ft (5.5 m)	20 ft (6.1 m)	24 ft (7.3 m)
Max Affected Area	8,611.00ft ²	11,840.00ft ²	17,222.00 ft ²	21,527.00 ft ²
Airflow	446,730 cfm	471,450 cfm	485,576 cfm	522,657 cfm
Max Speed	75 RPM	70 RPM	62 RPM	57 RPM
Max Power at Max Speed	1.2HP	1.4HP	2.0 HP	2.4 HP
Max Thrust at Max Speed	170 N	210 N	260 N	300 N
Sound Level at Max Speed	40 dBA			
Fan Weight	447 lbs.	457 lbs.	467 lbs.	487 lbs.
Motor Torque Rating	260 Nm			
Motor Power Rating	2.45HP			
Motor IP Rating	IP55			
Motor Insulation Class	IEC Class F, Temperature Rise			
Bearing Life ABMA	L10 Life of 100,000 Hrs.			
Motor Type	PMSM (BLDC), Direct Drive			
Motor Input	200-220V, 400-480V (optional)			
Input Power Options	1Φ or 3Φ (200 - 480) VAC ±10%, 50 / 60 Hz			
Controller IP Rating & NEMA Class	IP66 / NEMA Class 4			
Mounting Hardware	Steel			
Standard Down Rod Length*	39"			
Operating Temperatures	140° F			

* Custom options are available.

PRODUCT DIMENSIONS



Swifter Fans does not warrant or represent that the information is free from errors or omission. The information may change without notice and Swifter Fans is not in any way liable for the accuracy of any information printed and stored or in any way interpreted or used.